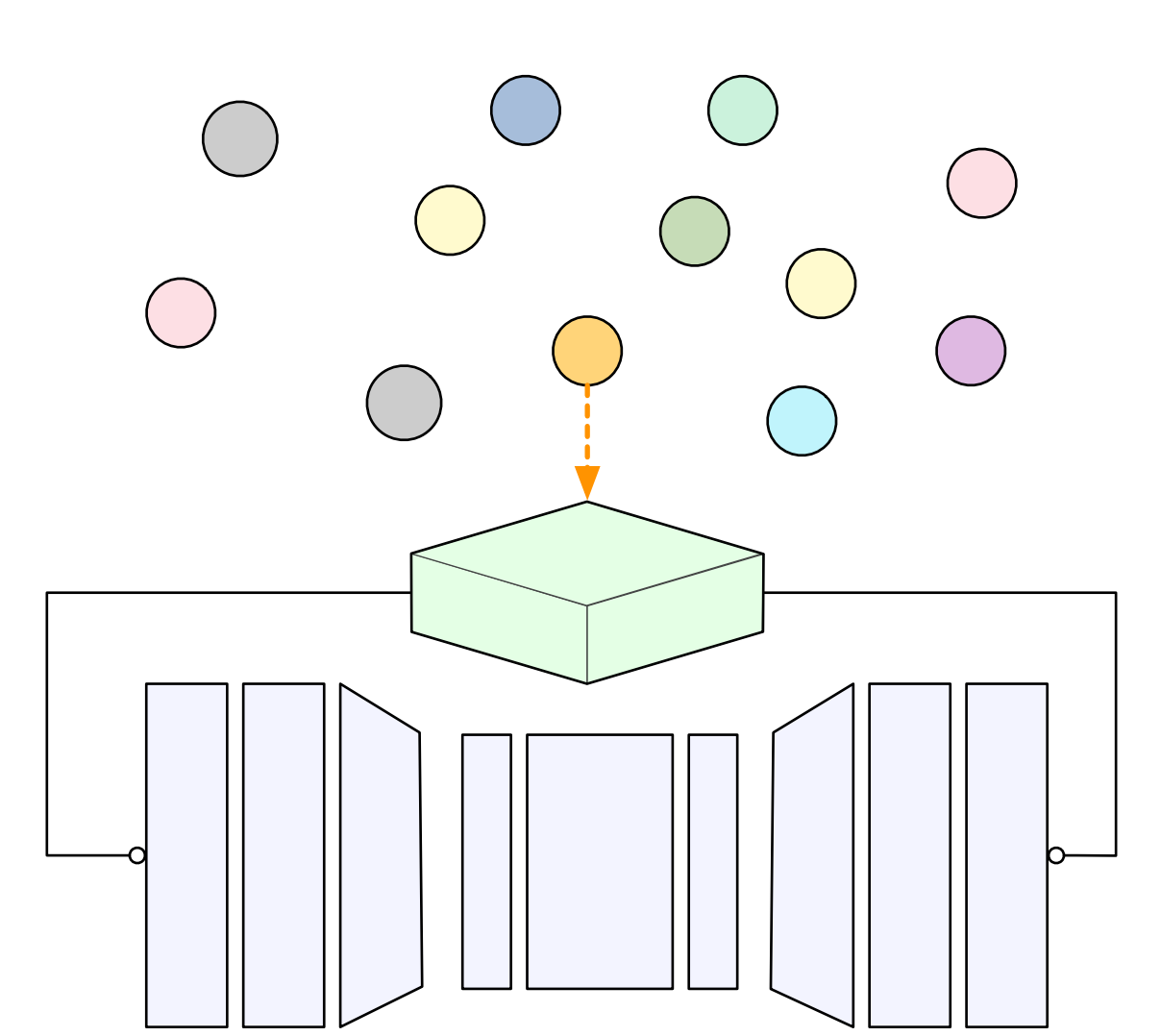
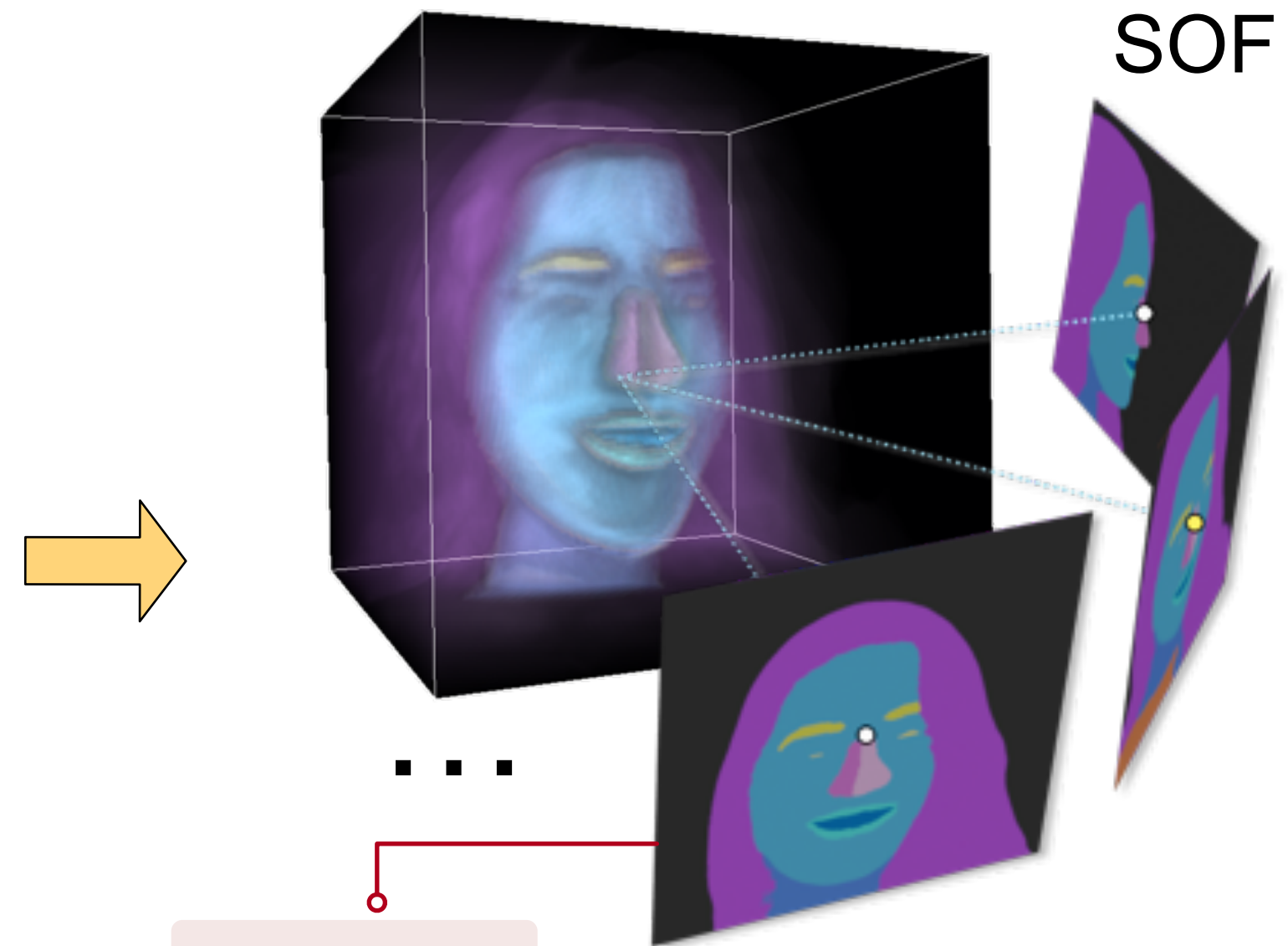


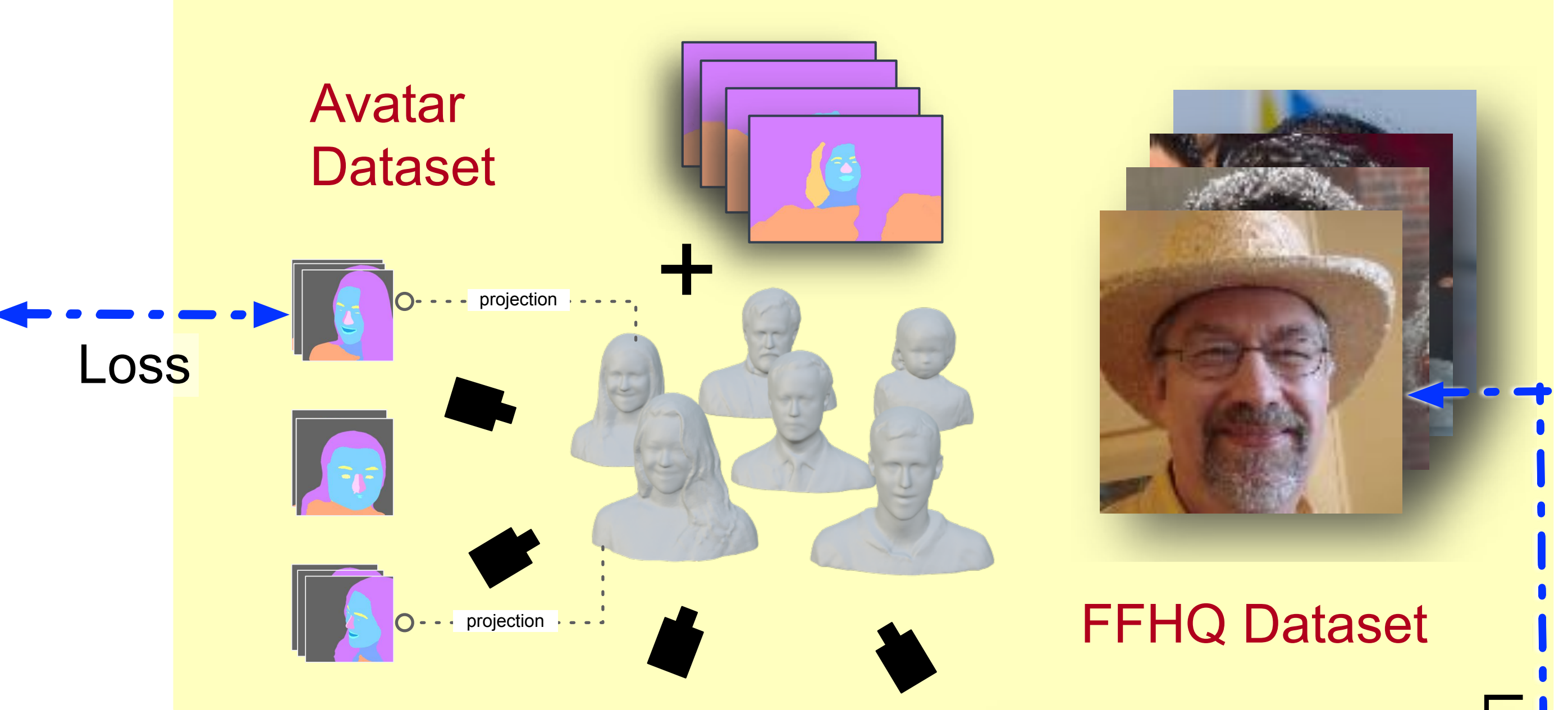
# Geometric Sampling Space



SOF Net



SOF

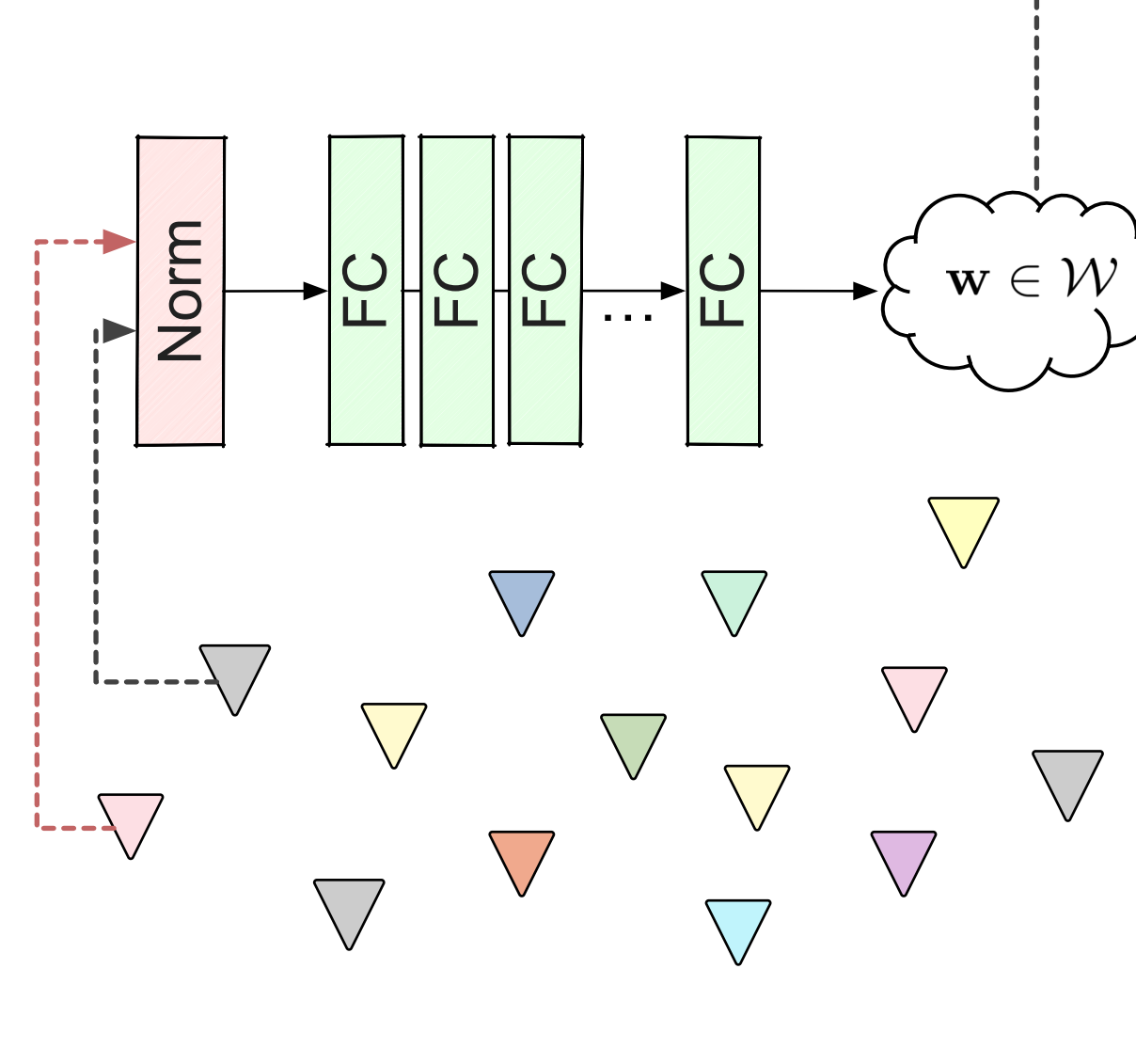


Avatar Dataset

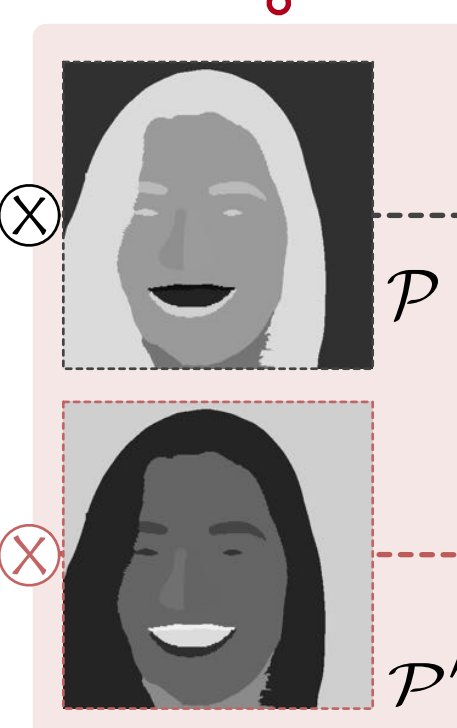
FFHQ Dataset

Loss

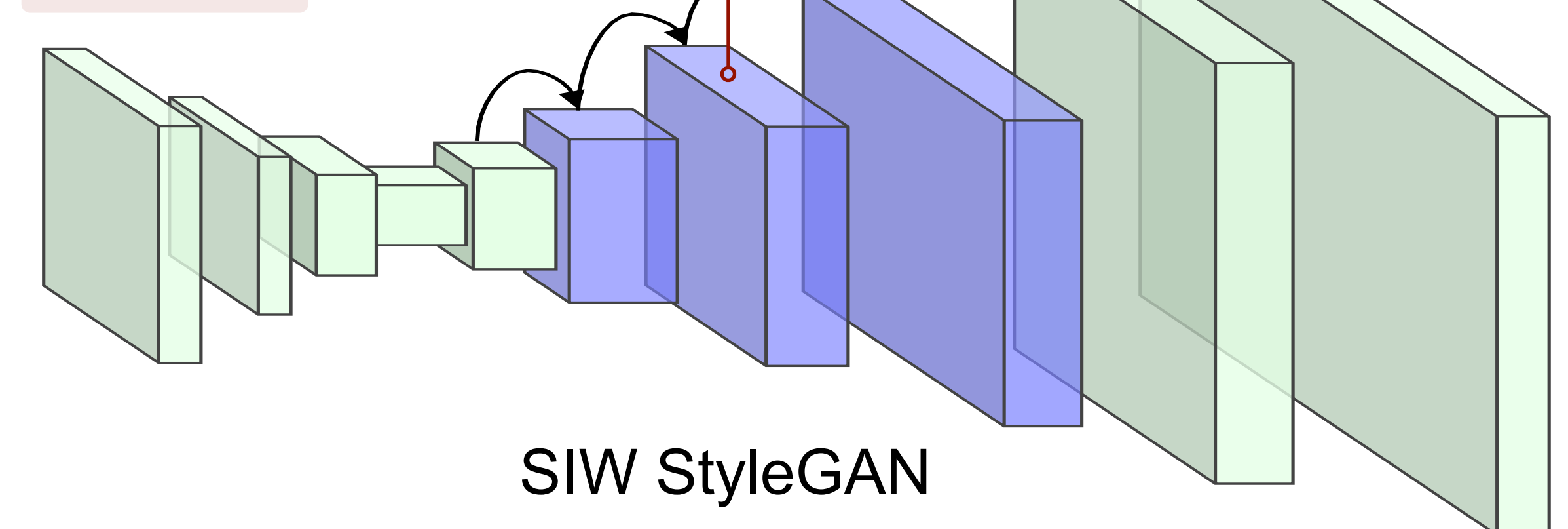
Loss



# Texture Sampling Space



Style Mixing



SIW StyleGAN



Generated Images